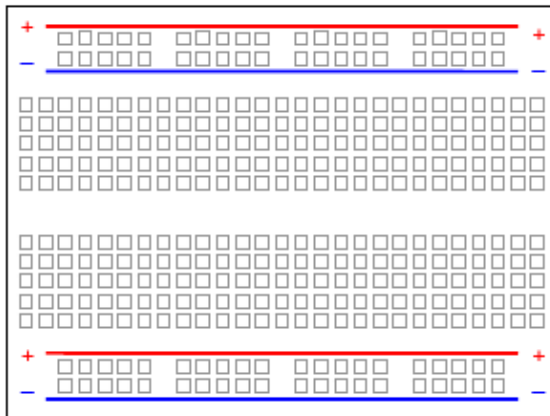


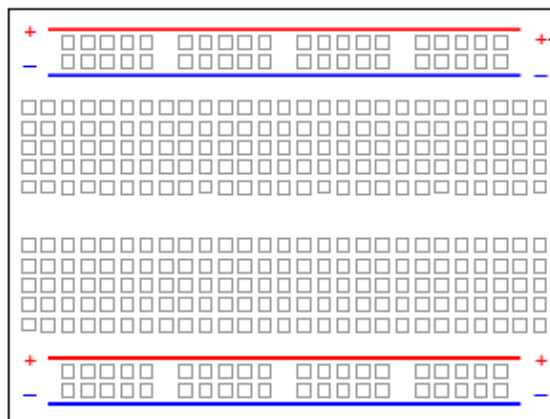
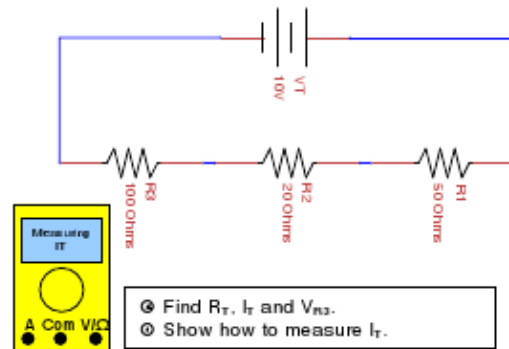
Name: _____

Prototyping Bread Boards

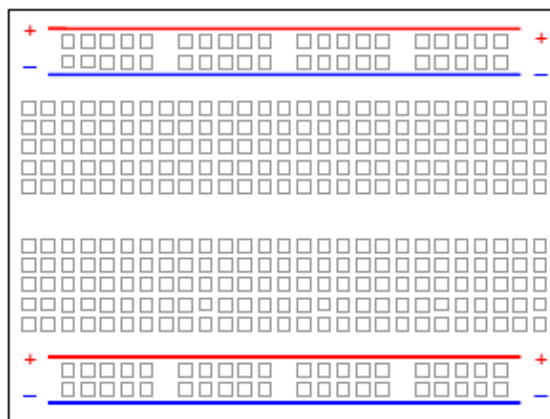
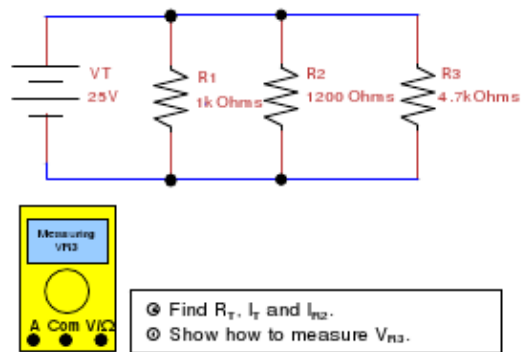
- 1 Draw how you will hook up the circuit, including how to hook up the meter.
- 2 Calculate the unknown values.



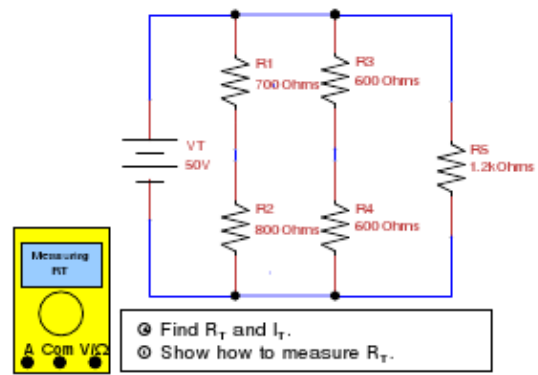
Schematic 1



Schematic 2



Schematic 3



+

+ _

-

Name: _____ Prototyping Bread Boards

① Draw how you will hook up the circuit, including how to hook up the meter. ② Calculate the unknown values.

Schematic 1

Measuring IT

A ComV/Ω

Schematic 2

Measuring VR3

A ComV/Ω

Schematic 3

Measuring RT

A ComV/Ω

1 2 Find Show R

how T , I

T

and to measure V

R3

.

I

T

.

+ _

.

VT

R1

R2

R3 25V

1k Ohms

1200 Ohms

4.7k Ohms

.

+ _

+ _

1 Find R

T

, I

T

and I

R2

. 2 Show how to measure V

R3

VT 50V

.

+

.

-

R1

R3

700 Ohms

600 Ohms

R5 1.2k Ohms

R2

R4 800 Ohms

600 Ohms

+ _

+ _

1 2 Find Show R

how T

and to I

T measure .

R

T

.

.

+ _

+ _

+ _